

# HumiTrans 140

The transmitter of the HumiTrans 140 series for environmental measures is a superior quality standard, both in its elements and in its features. Thanks to its high precision in the measurement of humidity and temperature, it can reach a speed and accuracy unknown until now.

The HumiTrans 140 is designed to work in adverse environments of both pollution and moisture concentration, without the LE10 sensor being affected. The HumiTrans 140 series is available for wall and duct mounting, in both cases the probe is mounted to the transmitter. It has two analogue humidity and temperature outputs configurable in voltage and current. The HumiTrans 140 can be adjusted / calibrated relative humidity by 2 push buttons on the electronic board.



## APPLICATIONS

- Greenhouses and farmers
- Warehouses
- Swimming pool and Sport Centers
- Home Automation
- Weather Stations
- Museums
- Libraries

## HIGHLIGHTS

- Measure 0...100% RH
- Accuracy 2% RH
- Traceable calibration
- Working range -40°C...60°C
- Excellent long-term stability

### Technical Data

#### RH:

Sensor	LE10 Capacitive	
Analog output 0...100% rh	0-10V	-1 mA < IL < 1 mA
	4-20 mA (three wires)	RL < 500 Ohm
Recommended work range	0...100% rh	
Accuracy at 20°C	±2% rh (0...90%) + 3% rh (90...100%)	

Temperature deviation	Typical. ±0.03% rh/°C	
Hysteresis 10% - 80% - 10%	< 2%rh	
Traceable by international standards	ENAC, NIST, PTB	

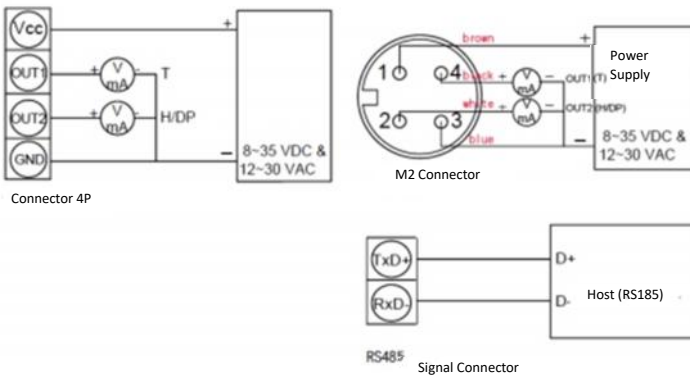
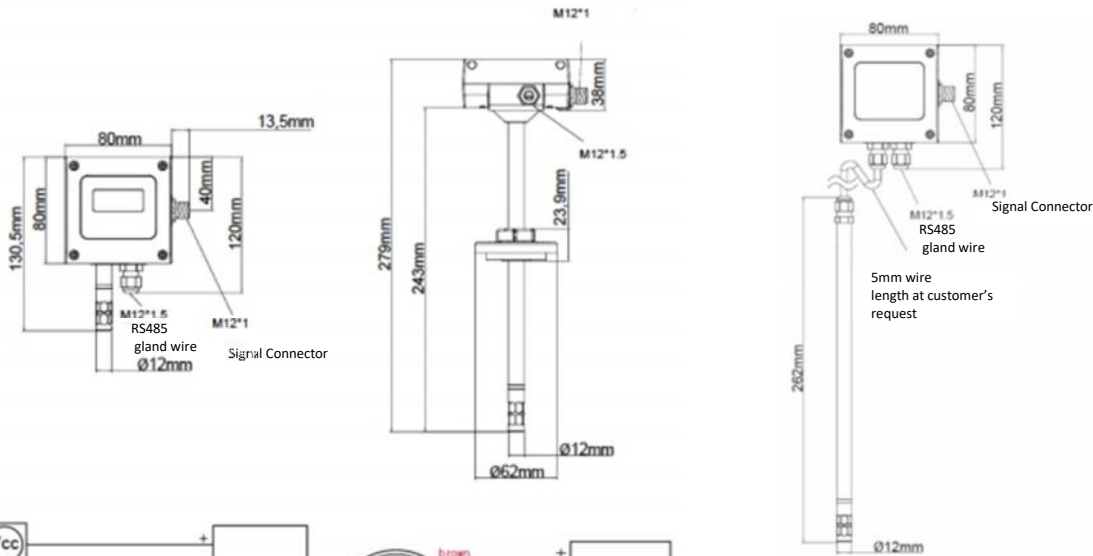
#### Temperature

Sensor	Pt1000 (Class A, DIN EN 60751)	
Analog output	0-10V	-1 mA < IL < 1 mA
	4-20mA (two wire)	RL < 500 Ohm
Accuracy at 20°C	±0.30°C	

## General Data

Power Supply	0...10V 24Vcc ±20%
	4...20 mA 10V + RL x 20 mA < UV < 24Vcc
Consumption	Typical Cc: 5 mA   Typical Ca: 15 mA
Electrical Connections	Terminal with clamping screws, 1.5 mm <sup>2</sup> max.
Housing/Protection degree	PC fire-proof class / IP65
Cable gland	M16 x 1.5
Sensor Protection	Membrane filter, sintered steel, teflon
Working temperature sensor	-40...80°C
Electromagnetic Compatibility	EN1326-1, ICES-003 Clase B, EN61326-2-3

## Dimension



## Electrical Connections

## Orders

Model	Scaled of Outp. Signal	Installation	Sensor Protection
Humitrans 140 HT	Humidity 0...100%rh -40...60°C (B) -20...80°C (E) -30...70°C (F) Others (Rxx)	Wall mounting (1) Duct-mounting Remote (2 mts.)	
<b>Sensor Length (A)</b> 50 mm (5) 243 mm (10)	<b>Output</b> 0...10V (T) 4...20mA (C)		