

# Gas-Actuated Thermometers, Rigid Stem

Crimped-on ring case stainless steel

LTSCHg  
LTSCHgG

## Standard Versions

Information on selection and metrological features (temperature-resistance, among others) and temperature ranges / smallest subdivision / error limits can be found in model overview 8000.

### Measuring Unit

With nitrogen filling  
(inert gas, physiologically safe)

### Accuracy (EN 13 190)

Class 1

### Case

With polished crimped-on ring, 1.4301 (304 stainless steel)

### Case Protection Type (EN 60 529 / IEC 529)

IP 65

### Case Filling

For model TSChgG: silicone oil

### Nominal Case Sizes

63, 80, 100, 160 mm (2½", 3", 4", 6")

### Case Configuration

Connection temperature

sensor (stem): rigid connection with neck tube

Stem position: vertical bottom position,  
optional: with angle (**w**, **wst**, **wl**, **wr**) or  
centre back position (**rm**),  
see page 2

Mounting device: without,  
optional: for centre back connection (**rm**),  
back flange for surface  
mounting (**Rh**),  
see page 2

### Temperature Ranges (EN 13 190)

Spans from 80 K to 600 K

### Temperature Sensor (Stem)

Made of stainless steel 1.4571 (316 L),  
max. static operating pressure: 25 bar

Stem models: A1, A3, A4, A4.1, A5 or A6

Stem-Ø dF: 8, 10 or 12 mm

Stem length L resp. L1: Lmin resp. L1min up to max. 2.50 m

Please consider the minimum stem length depending on the active length (La) and stem model, see page 3.

### Window

Instrument glass

### Movement

Brass/German silver

### Dial

Aluminium white, scaling black

### Pointer

Aluminium black

### Indication Adjustment (± 6%)

From the outside via screw



## Ordering Information, Standard Temperature Ranges, Options

See page 4

## Special Versions and further Options among others

- Other stem models, e.g.
  - without bent tube, see data sheet 8299.1
  - with connection for food / biotechnical / pharmaceutical industry, see data sheet 8299.3
  - contact stems for temperature measurement on the outside of cases and pipe barrels up to 300 °C, see data sheet 8299.4
- Other stem-Ø, connection threads and materials upon request
- Other temperature ranges and / or special scales, e.g. dual scale °C/°F, coloured fields or ranges, dial inscriptions, etc.
- Case parts stainless steel 316 L (1.4404) upon request
- Model TSChg for ambient temperatures to -60 °C;  
Model TSChgG for ambient temperatures to -40 °C;  
to -60 °C NCS 100 and 160
- Position of the connection radial at 3 o'clock, 9 o'clock, 12 o'clock, others upon request or other than vertical installation (90°)
- GOST-version for Russia, Ukraine, Kazakhstan

## Thermowells

See DS 8.8110 ff.



Sales and Export South, West, North

## ARMATURENBau GmbH

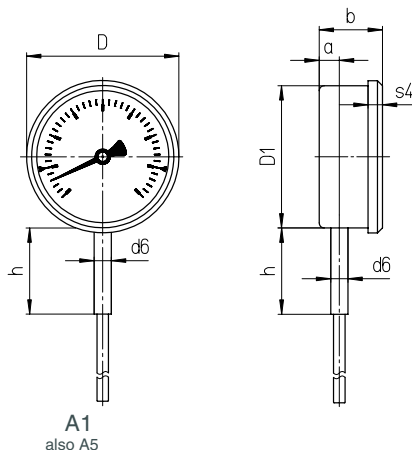
Manometerstraße 5 • D-46487 Wesel-Ginderich  
Tel.: +49 (0)28 03/91 30-0 • Fax: +49 (0)28 03/10 35  
armaturenba.com • mail@armaturenba.com

LEYRO INSTRUMENTS SL  
Avda. Somosierra 24  
28703 San Sebastián de los Reyes  
Madrid  
Tel: +34 912 835 502  
info@leyro.net  
www.leyroinstruments.com

leyro

## Vertical Bottom Stem Position

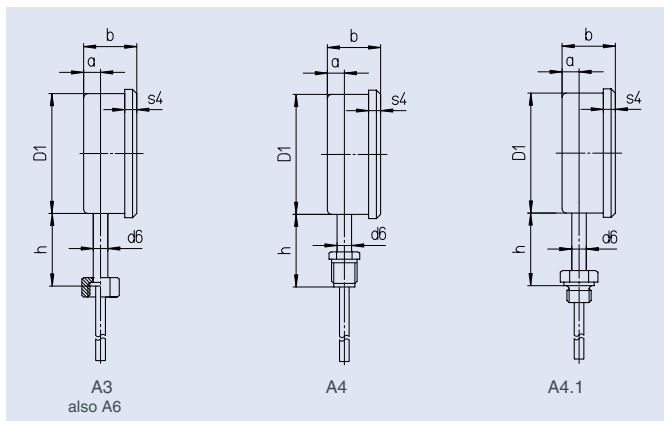
no additional code letter



A1  
also A5

## Further Stem Models

(demonstrated as example: vertical bottom stem position)



## Vertical Bottom Stem Position with Angle

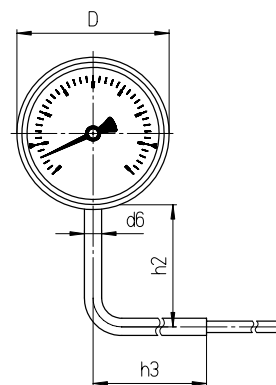
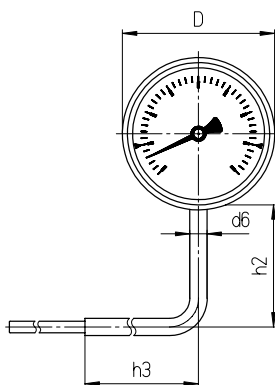
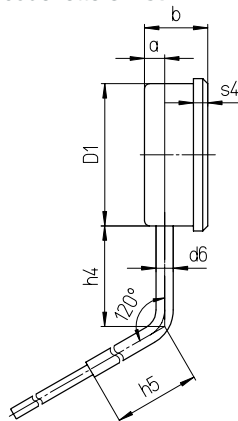
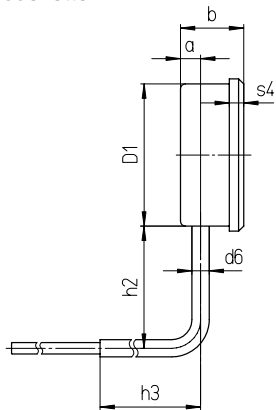
with angle:

90° angled to the back,  
code letter w

obtuse-angled to the back,  
code letters wst

right-angled to the left,  
code letters wl

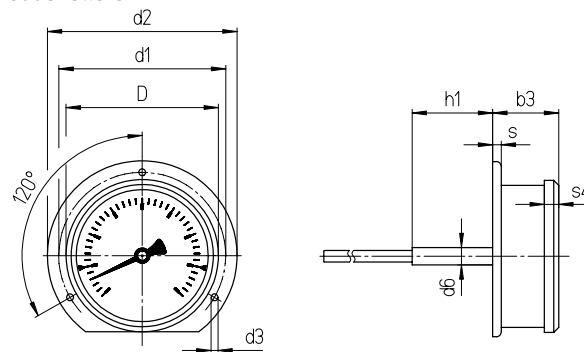
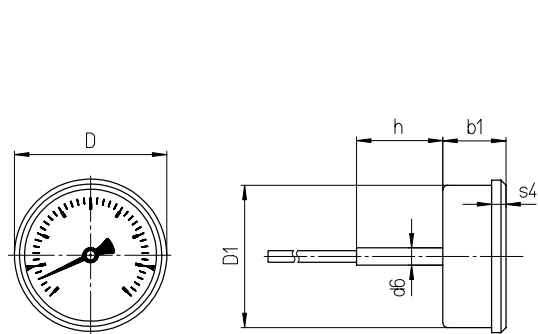
right-angled to the right,  
code letters wr



## Centre Back Stem Position

code letters rm

with back flange for surface mounting (back flange), except NCS 80  
code letters rmRh



## Dimensional Data (mm / inches) and Weights (kg / lb)

NCS	a	b	b1	b3	D	D1	d1	d2	d3	d6	h <sup>1)</sup>	h1 <sup>1)</sup>	h2	h3	h4	h5	s	s4	approx. Weight <sup>2)</sup>	
																			TSchg	TSchgG
63	12	39	39	42	67	62	75	85	3.6	12	60	57	85	120	70	120	5	8	0.23	0.30
2½"	.47	1.54	1.54	1.65	2.63	2.44	2.95	3.35	.14	.47	2.36	2.24	3.35	4.72	2.76	4.72	0.2	.31	0.50	0.66
80	15	42	42	-	86	79	95	110	4.8	12	60	-	85	120	70	120	-	8	0.32	0.46
3"	.59	1.65	1.65	-	3.39	3.11	3.74	4.33	.18	.47	2.36	-	3.35	4.72	2.76	4.72	-	.31	0.70	1.01
100	15	43	43	46.5	106	99	116	132	4.8	12	60	57	85 <sup>3)</sup>	120	70 <sup>3)</sup>	120	6	10	0.43	0.63
4"	.59	1.70	1.70	1.83	4.17	3.9	4.57	5.2	.18	.47	2.36	2.24	3.35	4.72	2.76	4.72	.24	.40	0.95	1.39
160	15	51	51	54	167	159	178	196	5.8	12	60	-	109	120	70	120	-	11	0.75	1.46
6"	.59	2.01	2.01	2.13	6.57	6.26	7.01	7.72	.22	.47	2.36	-	4.29	4.72	2.76	4.72	-	.43	1.65	3.22

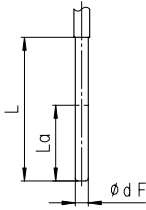
<sup>1)</sup> Temperature range > 500 °C and above: +20 mm (0.79")

<sup>2)</sup> The indications serve as example and relate to versions with stem A1, Ø 10 mm (0.4"), length 200 mm (8").

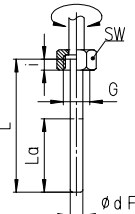
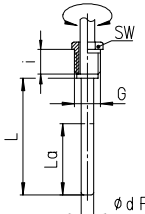
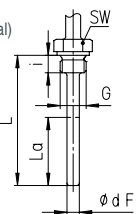
<sup>3)</sup> With TSchgG: h2 = 109 mm (4.29"), h4 = 94 mm (3.7")

**Stem Models**

<b>Process connection:</b>	<b>without screw fitting, plain stem</b>		
<b>Stem model:</b>	<b>A1</b>		
<b>Form according to DIN 13 190:</b>	Form 1		
<b>Stem material:</b>	1.4571		
<b>Stem-Ø dF:</b>	8, 10, 12		
<b>Order length:</b>	L		
<b>Data sheet</b> (suitable thermowell models):	8.8140 (SK1), 8.8141 (SK2)		



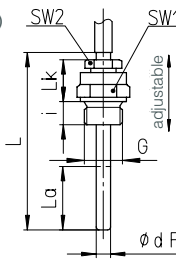
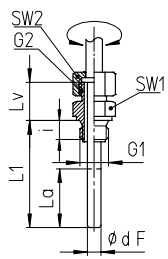
<b>Process connection:</b>	<b>Union nut</b>	<b>Male thread, turnable</b>	<b>Male thread, rigid</b>
<b>Stem model:</b>	<b>A3</b>	<b>A4</b>	<b>A4.1</b>
<b>Form according to DIN 13 190:</b>	Form 5	Form 4	Form 6 (thread cylindrical) Form 7 (thread conical)
<b>Stem material:</b>	1.4571	1.4571	1.4571
<b>Stem-Ø dF:</b>	8, 10, 12	8, 10, 12	8, 10, 12
<b>Screw fitting material:</b>	1.4571	1.4571	1.4571
<b>Order length:</b>	L	L	L
<b>Data sheet</b> (suitable thermowell models):	8.8111 (SF4.1), 8.8113 (SF4.1F) 8.8130 (SF8), 8.8131 (SF9)	8.8110 (SF4), 8.8112 (SF4F) 8.8120 (SF5), 8.8121 (SF6+SF7)	8.8110 (SF4), 8.8112 (SF4F) 8.8120 (SF5), 8.8121 (SF6+SF7)

<b>Thread (dimensions in mm):</b>	<b>G</b>	<b>SW</b>	<b>i</b>	<b>G</b>	<b>SW</b>	<b>i</b>	<b>G</b>	<b>SW</b>	<b>i</b>
	G ½	27	10	G ½ B	22	20	G ½ B	27	14
	G ¾	32	12	G ¾ B	27	23	G ¾ B	32	16
	M 20x1.5	27	10	M 18x1.5	22	14	½" NPT	27	19
	M 24x1.5	32	12	M 20x1.5	22	20	¾" NPT	27	19
	M 27x2	32	12				M 18x1.5	24	14
							M 20x1.5	27	14

Thermowell required!

<b>Process connection:</b>	<b>Male thread / Compression fitting</b>	<b>Male thread, turnable / Double male adapter</b>
<b>Stem model:</b>	<b>A5</b> (= basic stem A1 with compression fitting)	<b>A6</b> (= basic stem A3 with double male adapter)
<b>Form according to DIN 13 190:</b>	Form 2 (thread cylindrical) Form 3 (thread conical)	—
<b>Stem material:</b>	1.4571	1.4571
<b>Stem-Ø dF:</b>	8, 10, 12	8, 10, 12
<b>Screw fitting material:</b>	1.4571	1.4571
<b>Order length:</b>	L	L1
<b>Data sheet</b> (suitable thermowell models):	8.8110 (SF4), 8.8112 (SF4F) 8.8120 (SF5), 8.8121 (SF6+SF7)	8.8110 (SF4), 8.8112 (SF4F) 8.8120 (SF5), 8.8121 (SF6+SF7)

<b>Thread (dimensions in mm):</b>	<b>G</b>	<b>SW1</b>	<b>SW2</b>	<b>i</b>	<b>Lk</b>	<b>G1</b>	<b>G2</b>	<b>SW1</b>	<b>SW2</b>	<b>i</b>	<b>Lv</b>
	G ½ B	27	22	14	42	G ½ B	G ½ B	27	27	14	28
	G ¾ B	32	22	16	42	G ¾ B	G ½ B	32	27	16	28
	½" NPT	27	22	19	42	½" NPT	G ½ B	27	27	19	28
	¾" NPT	27	22	19	42	¾" NPT	G ½ B	27	27	19	28
	M 20x1.5	27	22	14	42	M 20x1.5	M 20x1.5	27	27	14	28
						M 24x1.5	M 20x1.5	32	27	14	28
						M 27x2	M 20x1.5	32	27	16	28

**Minimum Stem Length, Active Length and Maximum realisable Stem Length**

			up to max. 500 °C			500 °C and above			<b>The minimum length Lmin/L1min</b> of the stem is the smallest possible stem length depending on the active length La (temperature-sensitive part) and the stem model.
<b>Stem model:</b>	<b>Length:</b>	<b>Thread:</b>	<b>Stem-Ø dF:</b>			<b>Stem-Ø dF:</b>			
<b>all models</b>	La	all standard threads	12	10	8	12	10	8	
<b>A1 A3 A4</b>	Lmin	all standard threads	35	45	75	75	105	165	
<b>A4.1</b>	Lmin	G ½ B, M 18x1.5, M 20x1.5	55	65	95	95	125	185	<b>The active length La</b> of the stem (temperature-sensitive part) has to immerse completely into the medium, in order to obtain a measuring result that corresponds to the accuracy class.
		G ¾ B	49	59	89	89	119	179	
		½" NPT, ¾" NPT	51	61	91	91	121	181	
<b>A5</b>	Lmin	all standard threads	54	64	94	94	124	184	<b>The maximum realisable stem length</b> is 2.50 m. Greater lengths can be obtained with a capillary line, e.g. with special stems A3.2, A4.2 and A4.3 (data sheet 8299.1) or basic models TFCh with capillary line to stem, data sheet 8221.
		G ½ B, M 20x1.5	90	100	130	130	160	220	
		G ¾ B, M24x1.5, M27x2	49	59	89	89	119	179	
<b>A6</b>	L1min	G ¾ B, M24x1.5, M27x2	51	61	91	91	121	181	
		½" NPT, ¾" NPT	54	64	94	94	124	184	
<b>others</b>			upon request			upon request			

Basic Model: Gas-actuated Thermometers, Rigid Connection to Stem		TSchg	
<b>Case filling:</b>	without	no code letters	
	silicone oil	<b>G</b>	
<b>Nominal case sizes:</b>	case-Ø 63, 80, 100, 160 mm (2½", 3", 4", 6")	<b>63, 80, 100, 160</b>	
<b>Stem position / Case configuration:</b>	vertical bottom position	no code letters	
	90° angled to the back	<b>w</b>	
	obtuse-angled to the back	<b>wst</b>	
	right-angled to the left	<b>wl</b>	
	right-angled to the right	<b>wr</b>	
	centre back connection	<b>rm</b>	
	centre back connection, with back flange for surface mounting	<b>rmRh</b>	
<b>Temperature ranges:</b>	scale: $\Delta T$ (K):		
	0 – 80 °C      80		
	0 – 100 °C      100	e.g. <b>0 – 100 °C</b>	
	0 – 120 °C      120		
	0 – 160 °C      160		
	0 – 200 °C      200		
	0 – 250 °C      250		
	0 – 300 °C      300		
	0 – 400 °C      400		
	0 – 500 °C      500		
	0 – 600 °C      600		
	-100 / +100 °C      200		
	-50 / +50 °C      100		
	-40 / +40 °C      80		
	-40 / +60 °C      100		
	-30 / +50 °C      80	e.g. <b>-30 / +50 °C</b>	
	-20 / +60 °C      80		
	-20 / +80 °C      100		
	+50 / +300 °C      250		
+50 / +400 °C      350			
+100 / +500 °C      400			
<b>Stem:</b>	without screw fitting, plain stem	<b>A1</b>	
	union nut	<b>A3</b>	
	male thread, turnable	<b>A4</b>	
	male thread, rigid	<b>A4.1</b>	
	male thread / compression fitting	<b>A5</b>	
	male thread, turnable / double male adapter	<b>A6</b>	
<b>Stem-Ø dF:</b>	8, 10 or 12 mm	<b>dF 8, 10, 12</b>	
<b>Stem length:</b>	L resp. L1 in mm	e.g. <b>L = 100 mm</b>	
<b>Process connection:</b>	see page 3	e.g. <b>G ½ B</b>	
<b>Options:</b>	red mark	on the dial	<i>(order at present still in cleartext)</i>
	plastic clip	red or green, external on crimped-on ring for NCS 80, 100 and 160	
	window	tempered safety glass for NCS 80, 100 and 160	
		acrylic glass (PMMA) for NCS 80 and 100	
		polycarbonate (PC) NCS 63, 80 and 100	
	movement stainless steel		
	case ventilation no. 22 for outdoor installation		
	case polished		
	Version:	dial marking with respective symbol	
	German Lloyd or Russian Sea Register		
	<b>TSchg 100</b>	copy of the certificate upon request	
<b>TSchgG 63, 80, 100</b>			
measuring point marking	stainless steel plate 12 mm x 55 mm (0.47" x 2.17") with wire mounting or sticker on case coverage		

**Example:** TSchg 80 w, 0 – 100 °C, A5, dF 10, L = 100 mm, G ½ B

**Special Versions:** Please describe your requirements in cleartext